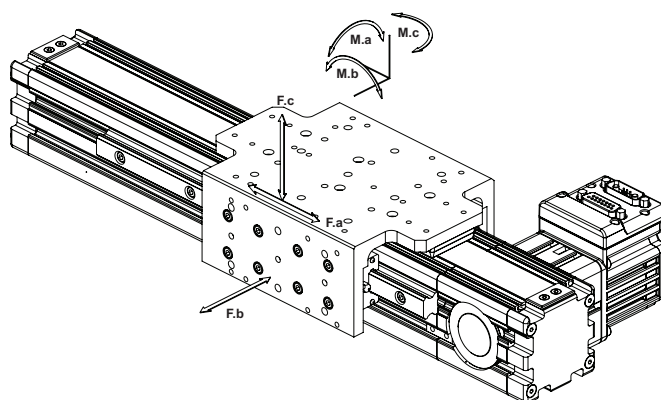
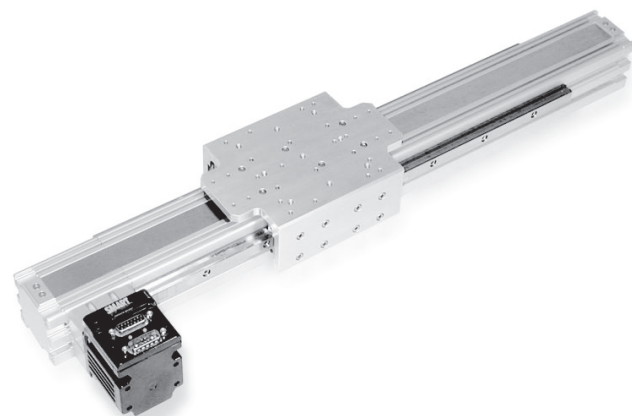


HLD60 with Twin External Rails Specifications

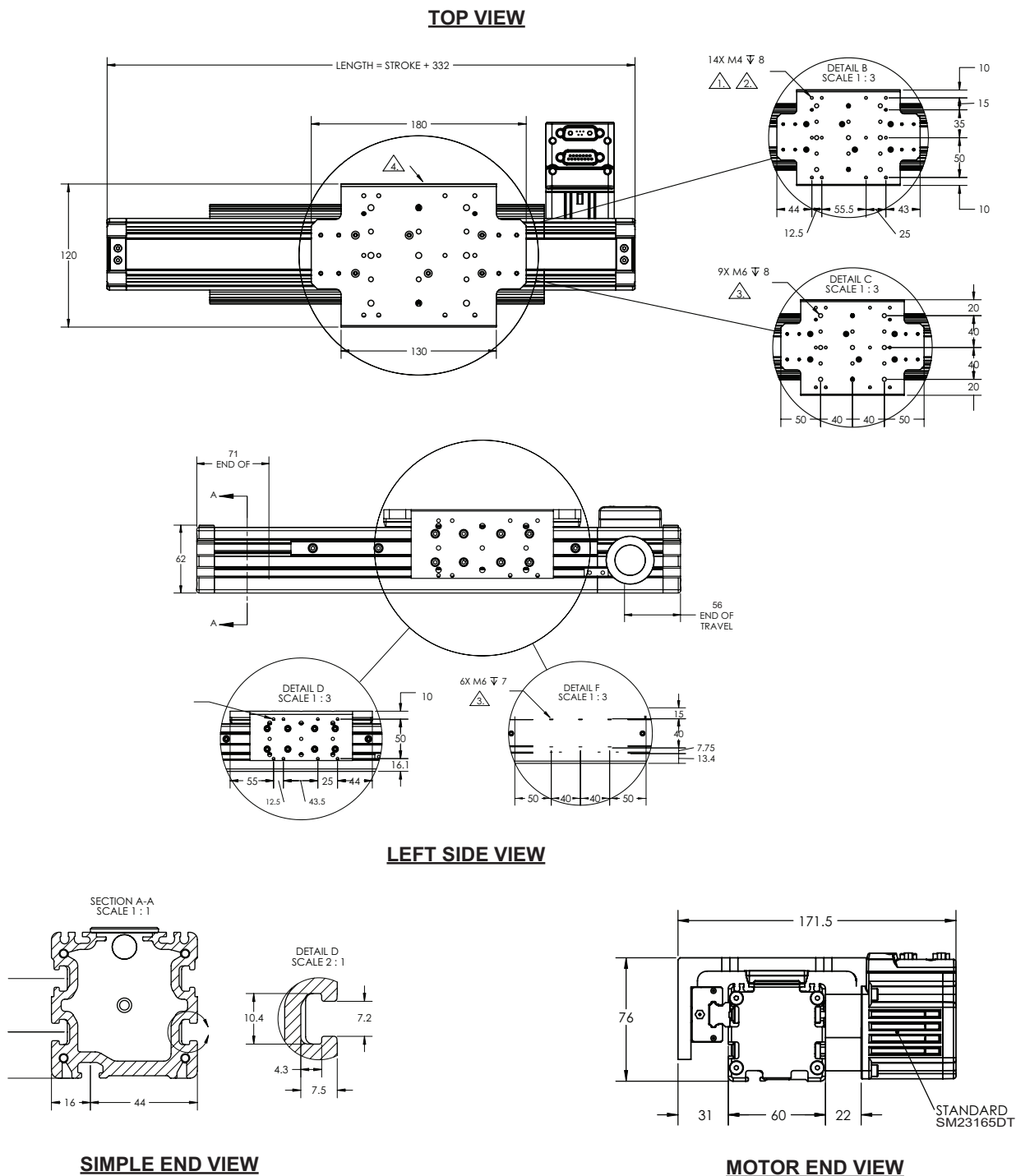
Parameter	Value				Units
Configuration & Physical Parameters					
Motor	Animatics Size 23 Motors				-
Coupling	Flexible Jaw				-
Displacement/rev	2.5, 5, 10, 12.5				mm/rev
Position sensors	Optional Home & EOT limits				-
Stroke	100-600mm in 50mm steps 600-1000mm in 100mm steps 1000-2800mm in 200mm steps Custom lengths are available				mm
Overall length (L)	Stroke + 332				mm
Over-travel	25				mm
Unit mass	3.4 + 0.0057 x (stroke, mm) + (motor mass, kg)				kg
Performance					
Unidirectional repeatability	<20				µm
Bi-directional repeatability	60-180 (belt tension dependent)				µm
Accuracy *	0.5 per 300 stroke				mm/mm
Displacement/rev	2.5	5	10	12.5	mm/rev
Linear speed @ 4200RPM	175	350	700	875	mm/s
Payload Mass**	45	40	16	10	kg
Continuous Thrust (Fa)					
SM2315D @ 48V @ 4500RPM	100	20	-	-	N
SM2315DT @ 48V @ 3300RPM	450	230	80	45	N
SM23165D @ 48V @ 4500RPM	260	100	-	-	N
SM23165DT @ 48V @ 3800RPM	450	400	160	135	N
SM23375D @ 48V @ 4500RPM	165	50	-	-	N
SM23375DT @ 48V @ 3200 RPM	450	275	105	65	N
Load Rating, Dynamic ** (Static)					
Fb	3000 (3000)	3000 (3000)	3000 (3000)	2800 (3000)	N
Fc	3000 (3000)	3000 (3000)	3000 (3000)	2800 (3000)	N
Carriage moments, Dynamic ** (Static)					
M.a	180 (200)	144 (200)	114 (200)	106 (200)	Nm
M.b	144 (200)	113 (200)	89 (200)	84 (200)	Nm
M.c	144 (200)	113 (200)	89 (200)	84 (200)	Nm



*Consult factory if greater accuracy is required

**Based on a 15000HR service life
@ 75/150/300 & 375mm/s (1800 RPM) average speed at given payload
Subject to routine lubrication

All OEM Dynamics™ Linear Integrated Systems are covered by Animatics patent #5,912,541 and other patents are in progress worldwide



- NOTES:**
- ① M4 x 12.5 x 50 and M4 x 25 x 50 mounting holes for L70 actuator.
 - ② M4 x 85 x 93 mounting holes for XL100 actuator.
 - ③ M6 x 40 x 40 standard bolt pattern for optional mounting accessories.
 - ④ Simple end (motor-side) has no mounting holes.

Dimensions in millimeters

Note: For part numbers please refer to our Website at www.oemdynamics.com

Thrust Curve performance data in following section on pages 109-126.