

# Air Breathers

Schroeder ABF and MBF style air breathers feature large pleated surface areas which remove airborne particles three microns and above with exceptional dirt holding capacity. Higher dirt holding capacities extend the life of the air breather and thus the length of time between servicing. The ABF-S40 models are recommended for mobile applications and other situations where frequent oil splashing occurs.

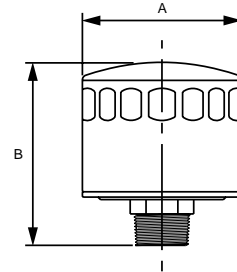
Schroeder ABF air breathers allow high capacity air flows and are available with both NPT and flange adapters. As can be seen a customized dipstick can be added to breathers with the flange style adapter. All flange style air breathers possess the same high capacity air flows as those shown in the table for the breathers with NPT adapter.

The Schroeder D-AB-2 and D-AB-4 desiccant filter breathers feature a dual filtration process, removing water as well as solid contaminants (2 and 4 micron absolute), respectively. Moisture can decrease a fluid's stability and reduce its service life, as well as cause oxidation and rust. Use of a desiccant breather keeps air entering a reservoir clean and dry.

## Breathers with NPT Adapters



**ABF-3/10**  
**ABF-3/10-M-P12**  
**ABF-S40**  
**ABF-S40-M-P12**  
**MBF-3-M-P20**  
**MBF-10-M-P20**



### Specifications: Breathers with NPT Adapters

Model Number	A	B	Adapter Type	Normal Capacity	Air Flow/ psi Drop
ABF-3/10 ABF-3/10-M-P12	3.69 (94)	4.28 (109)	.75" NPT Nylon .75" NPT Steel	40 SCFM	0.4 psi at 20 SCFM- 1.25 psi at 40 SCFM
ABF-S40 ABF-S40-M-P12	3.69 (94)	4.28 (109)	.75" NPT Nylon .75" NPT Steel	40 SCFM	0.29 psi at 20 SCFM- 1.06 psi at 40 SCFM
MBF-3-M-P20 MBF-10-M-P20	5.06 (128)	8.31 (211)	1.25" NPT Steel	200 SCFM	0.3 psi at 70 SCFM- 1.25 psi at 200 SCFM

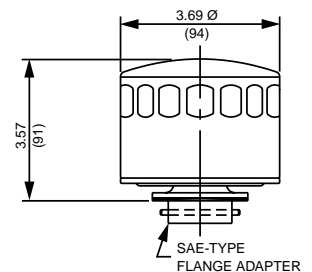
SCFM = Standard Cubic Feet per Minute

## Breathers with Flange Adapters



### ABF-3/10-F, ABF-S40-F

These breathers are designed for retrofit on hydraulic reservoirs using the SAE-type flange fill port assembly.



### ABF-3/10FA, B, C, ABF-S40FA, B, C Breathers with Dipstick

The air breathers above are also available with a dipstick up to 24 inches in length. The dimensions to the "add line" and the "fill line" must be specified in the model number ABF-3/10-F, A, B, C, where:

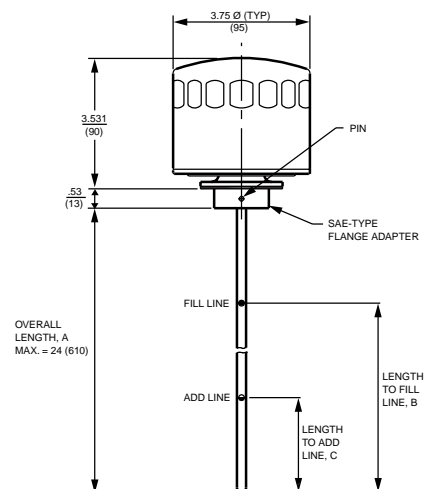
A = overall length of the dipstick in inches

B = length from tip of dipstick to fill line in inches

C = length from tip of dipstick to add line in inches

For safety reasons, the tip of the dipstick is rounded. No tools are needed for installation and removal. A quarter turn should snugly seal the breather in place.

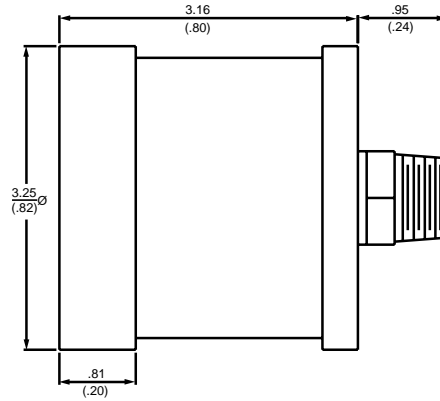
Minimum order quantity is 12.



# Air Breathers

Schroeder desiccant breathers are made with environmentally disposable silica gel, which adsorbs and traps moisture. Maximum ambient temperature is 200°F (93°C).

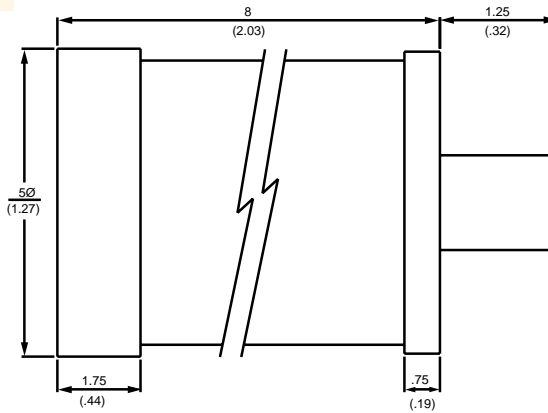
**D-AB-2  
D-AB-2-F**



### Specifications

Model Number	Adapter	Normal Capacity	Air Flow/psi Drop
D-AB-2	.75" NPT Male	20 SCFM	2 psi at 20 SCFM
D-AB-2-F	2.25" SAE J829 Flange	20 SCFM	2 psi at 20 SCFM

**D-AB-4  
D-AB-4 Adapters**



### Specifications

Model Number	Normal Capacity	Air Flow/psi Drop
D-AB-4	35 SCFM	0.70 psi at 35 SCFM

### Adapter Selection Guide

Part Number	Description	Part Number	Description
D-AB-FA1	Flange Adapter (with holes)	D-AB-BA	Bayonet Adapter
D-AB-FA	Flange Adapter (with no holes)	D-AB-SOA1	Spin-on Adapter (1"-12 UNF)
D-AB-TA1	Threaded Adapter (1" MNPT)	D-AB-SOA112	Spin-on Adapter (1½"-16 UNF)
D-AB-TA34	Threaded Adapter (¾" MNPT)		

## Desiccant Filter Breather

### Air Breathers

Filler Strainer Assemblies

Magnetic Suction Separators

Suction Strainers

